



永達棚架工程有限公司

WINXTER SCAFFOLDING WORKS COMPANY LIMITED

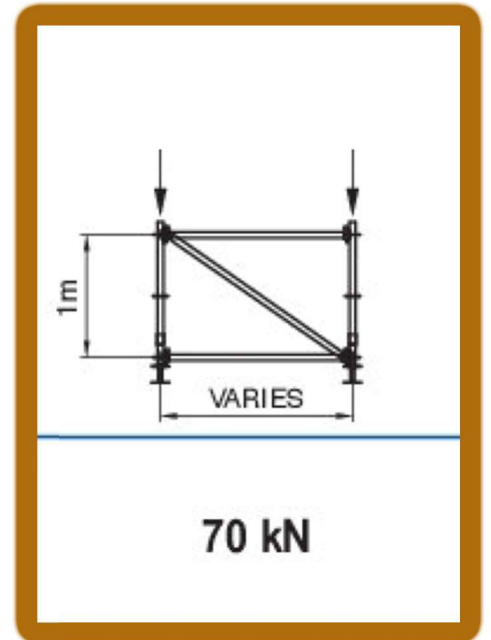
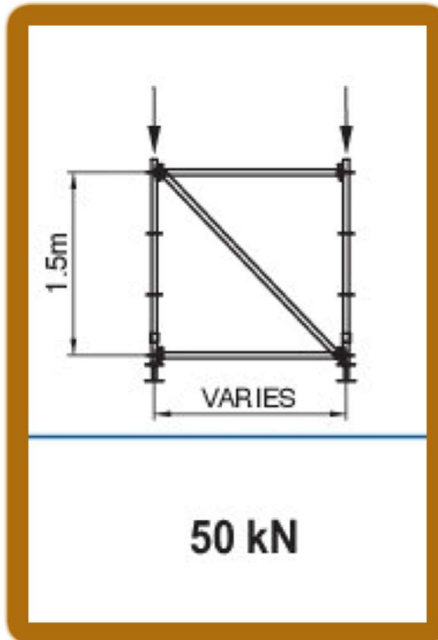
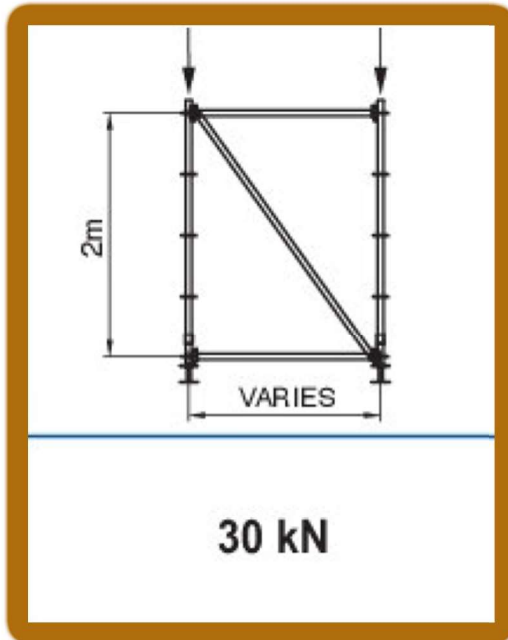


# **RINGLOCK SCAFFOLD SYSTEM**

PRODUCT CATALOGUE

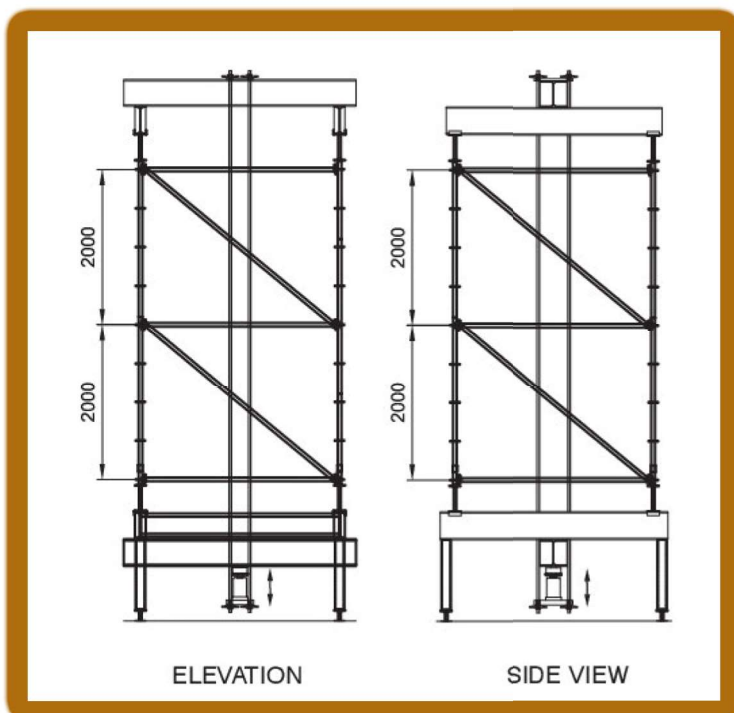
## LOAD TESTS

### LOAD CAPACITIES vs EFFECTIVE HEIGHTS

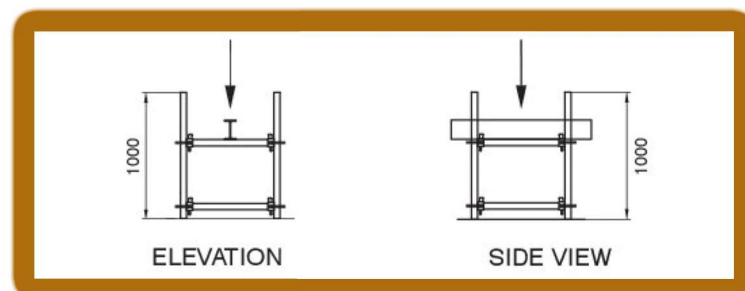
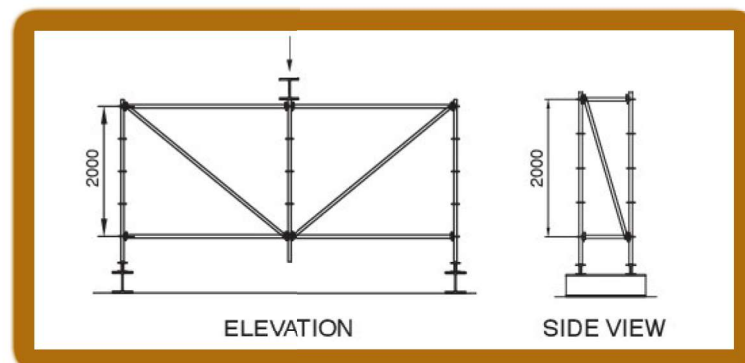


SAFETY FACTOR: 1.65 AGAINST YIELDING OF MATERIAL

### TOWER SCAFFOLD TEST



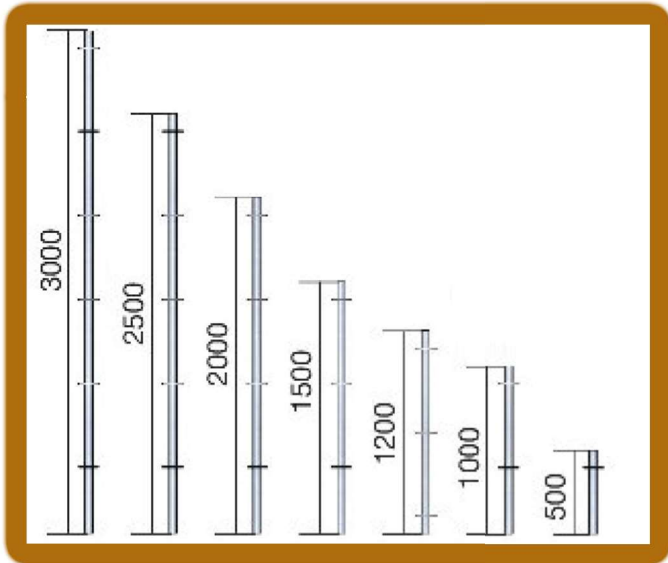
### DIAGONAL BRACE TEST



### LEDGER TEST

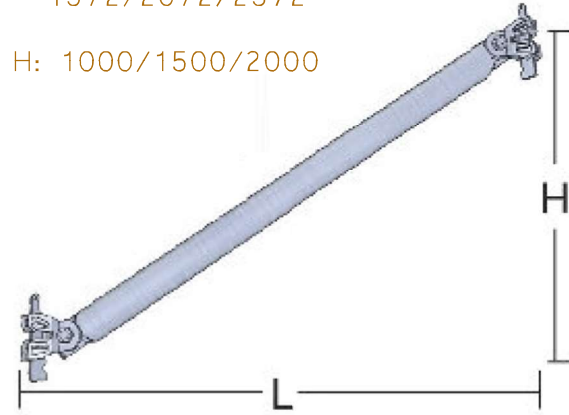
# COMPONENTS LIST

## STANDARD

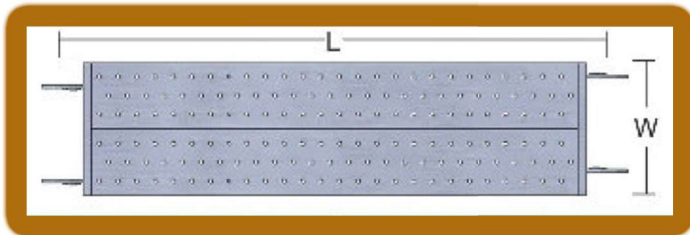


## DIAGONAL BRACE

L: 415/600/732/900/1088/1200/  
1572/2072/2572  
H: 1000/1500/2000

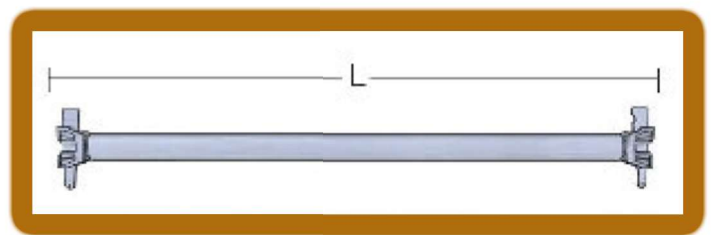


## PLANKING



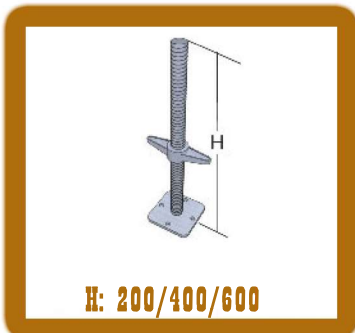
L: 415/600/732/900/1088/1200/1572/  
2072/2572  
W: 190/320

## LEDGER



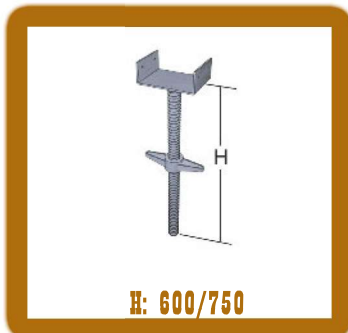
L: 600/732/900/1088/1200/1572/2072/2572

## JACK BASE



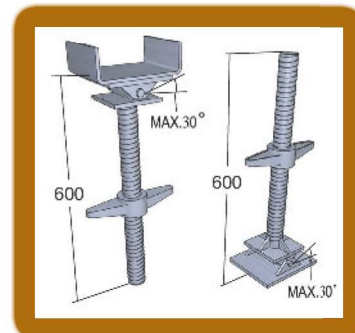
H: 200/400/600

## JACK HEAD

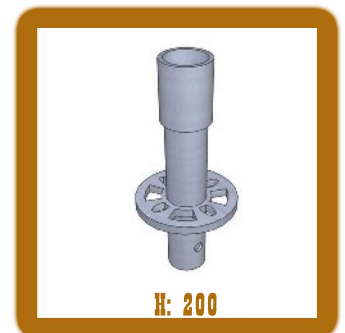


H: 600/750

## SWIVEL JACK



## BASE COLLAR



H: 200

科技大學-新建學生宿舍



黃竹坑站上蓋項目(港島南岸第4期)



中環新海濱



# JOB REFERENCES

屯門泳池



錦上路站住宅項目(柏瓏)



啟德6551- 天璽海





**WINXTER**

UNIT 8, 23/F METROPOLE SQUARE, 2 ON YIU STREET, SHATIN

T: 2116-3734

E: [INFO@WINXTERSCAFFOLDING.COM.HK](mailto:INFO@WINXTERSCAFFOLDING.COM.HK)